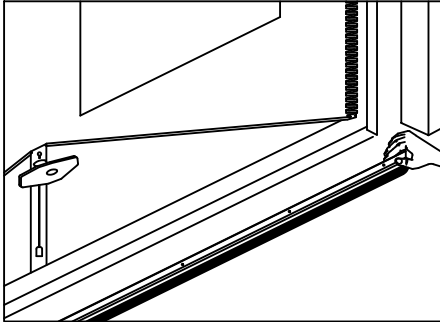
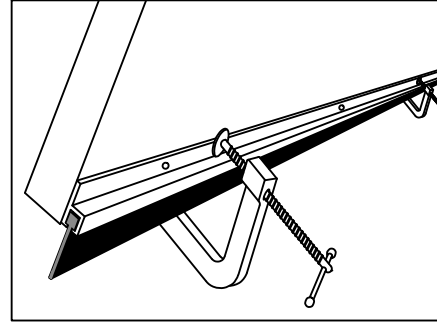


## GARAGE BOTTOM DOOR SEAL FITTING INSTRUCTIONS



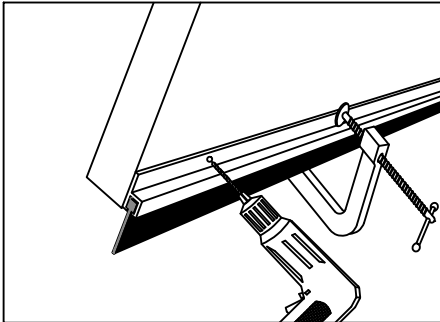
### STEP ONE

Select the best position to fix the seal to the bottom inside edge of the door. Pre-drill fixing holes into the seal carrier if required.



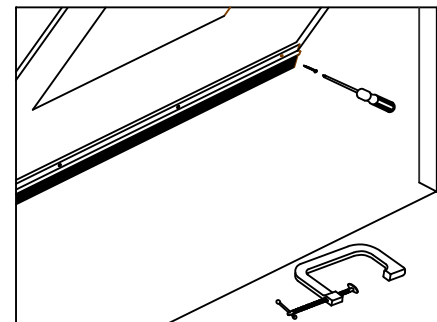
### STEP TWO

Hold the aluminium carrier into position with a couple of clamps or fixing tape (another pair of hands may also be useful).



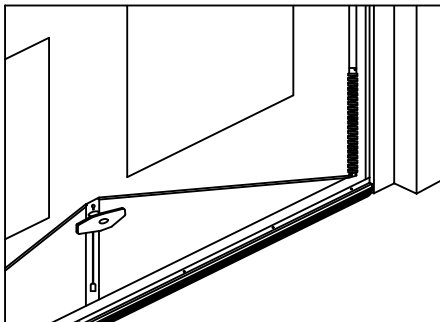
### STEP THREE

Once you are happy with the position, mark with a pencil through the holes or using a 2.5mm drill bit, drill through the pre-drilled holes into the door skin whilst still clamped.



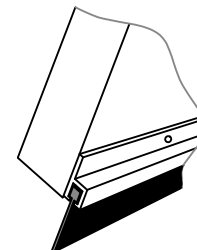
### STEP FOUR

Screw in the self tapping screws provided using a cordless drill / screwdriver and remove any clamps.

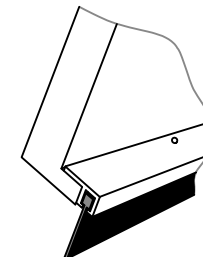


### STEP FIVE

Make sure the door shuts correctly, seal may need ends trimming depending on door type or locking mechanism.



Standard  
180° seal carrier



Some doors  
require a  
90° seal carrier